

The 43rd Annual Meeting of the Japan Neuroscience Society

第43回

# 日本神経科学大会



## Sponsorship Prospectus

# KOBE 2020

2020年7月29日水 - 8月1日土 July 29-August 1, 2020

神戸コンベンションセンター Kobe Convention Center

大会長：北澤 茂 (大阪大学大学院 生命機能研究科)

President : Shigeru Kitazawa (Graduate School of Frontier Biosciences, Osaka University)



# ◆ The Japan Neuroscience Society

Number  
of  
Members

approx. 6,000 (as of August, 2019)

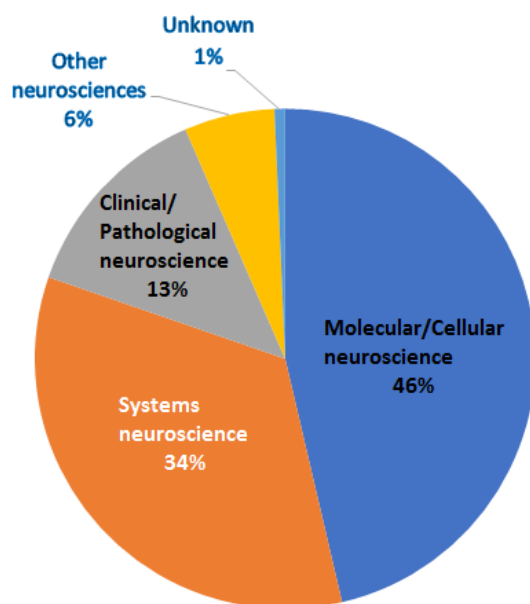
Number  
of  
Participants

approx. 3,200 (NEURO2019)

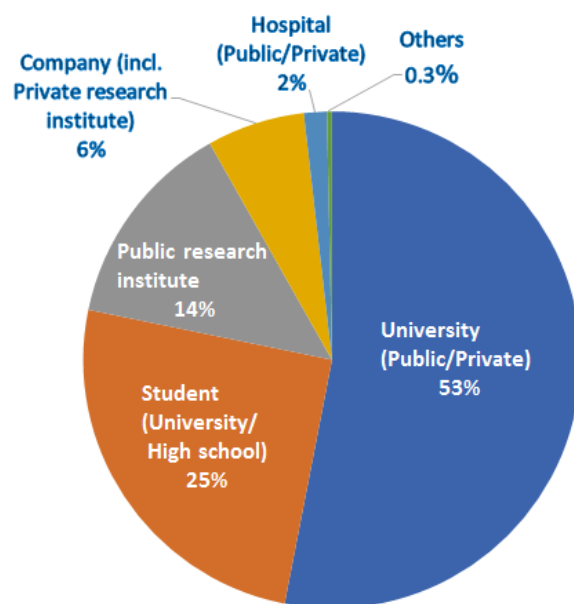
Fields

It covers a wide range of research fields from molecular biology, cell biology, biophysics, anatomy, physiology, biochemistry and pharmacology to psychology, behavioral science, technology, mathematics and clinical medicine.

Fields of JNS members



Affiliations of participants in NEURO2019



# ◆ NEURO2019

## Top 5 symposia in the attendance ranking

- 1** **The molecular/cellular mechanisms and the roles of REM sleep in brain functions**  
Hiroki Ueda, Yu Hayashi
- 2** **Bridging emotion and decision making: a view through neural circuits**  
Joshua Patrick Johansen, Anatol Kreitzer
- 3** **Neuronal Substrates of Episodic Memory ~ from physiology to circuits**  
Kazumasa Tanaka, Takashi Kitamura
- 4** **Exploring the origin of brain and central nervous system through monitoring the neural activity of the whole animal**  
Yuichi Iino, Rafael Yuste
- 5** **Novel circuits for the control of emotion linked with psychiatric disorders**  
Satoshi Kida, Kheirbek Mazen

## Sponsorship package

- NARISHIGE SCIENTIFIC INSTRUMENT LAB.
- Inscopix, Inc.
- Thorlabs Japan Inc.
- The Lundbeck Foundation (Brain Prize)
- NIKON INSTECH CO.,LTD.
- FUJIFILM Wako Pure Chemical Corporation
- COLD SPRING HARBOR ASIA (SIP) LTD.

## Luncheon seminar co-host

- Kao Corporation
- Kyowa Hakko Kirin Co., Ltd
- NTT DATA INSTITUTE OF MANAGEMENT CONSULTING, Inc.
- AbbVie GK
- National Institute for Physiological Sciences
- AsCNP/JSNP/JSCNP2019

## Greetings

We are pleased to announce that the 43rd Annual meeting in 2020 will be held from July 28th (Wed) to August 1st (Sat) at Kobe International Conference Center.

We raised “Theories of the brain” as the theme of the meeting. We chose “theories”, instead of “the theory”, because neuroscience is multidisciplinary. The scope of neuroscience ranges from molecular, cellular, local circuits, to the whole brain network. Functions of interest range from sensation, movement, to higher cognitive functions like consciousness. Methodologies involve those of molecular biology, psychology, physiology, mathematical sciences, and etc. Neuroscience is an ever-developing field that absorbs any methodologies of use: applications of optogenetics. iPS (induced pluripotent stem) cells, and artificial neural networks are among recent examples. No other field of science compares to neuroscience in its breadths, widths, and diversities.

The day will come when we acknowledge “the theory” of the brain. However, at present, let’s enjoy and energize the diversities that the “theories” of the brain bring about. The emblem of the meeting, which incorporated a traditional Japanese checker pattern, symbolizes the process of the multi-disciplinary “theories” revealing multi-dimensional shapes of the brain.

As neuroscience is open to any methodologies of science, this meeting is open to anybody who is involved in neuroscience. We are dedicated to providing a comfortable and harassment-free meeting experience for everyone, regardless of gender, disability, race, age, nationality, or whatever. The 43rd meeting happens to be held during the period of the Olympic Games in Tokyo 2020. As athletes from the five continents get together in the Olympic Games, I do hope that neuroscientists around the world come and join the meeting at Kobe.

Let’s come together and enjoy neuroscience in Kobe!

Shigeru Kitazawa, M.D., Ph.D.

President

The 43rd Annual Meeting of the Japan Neuroscience Society  
(Graduate School of Frontier Biosciences, Osaka University)

## Meeting Outline

---

- Name The 43rd Annual Meeting of Japan Neuroscience Society
- Theme THEORIES OF THE BRAIN
- Date July 29 (Wed) – August 1 (Sat), 2020  
\*Day 4(August 1) is scheduled to finish at 12:10, only educational lectures, symposia, and oral presentations are planned to be held.  
Poster presentations, exhibition, and luncheon seminars will not be held.
- Venue Kobe Convention Center  
(Kobe International Conference Center, Kobe International Exhibition Hall  
No.1 Building & No.2 Building)
- Program Plenary Lectures  
Special Lectures  
Symposia  
Educational Lectures  
Award Lectures  
Oral / Poster Presentations  
Luncheon Seminars  
Exhibition
- Expected number of participants  
approx. 3,000

## Organizers

---

President:

Shigeru Kitazawa (Osaka University)

Executive Committee Chair:

Makoto Sato (Osaka University)

Executive Committee Members:

Takahisa Furukawa (Osaka University)

Manabu Ikeda (Osaka University)

Yukio Kawahara (Osaka University)

Hideki Mochizuki (Osaka University)

Tamami Nakano (Osaka University)

Hiroaki Wake (Kobe University)

Hideshi Yagi (Hyogo College of Medicine)

Program Committee Chair:

Yuji Ikegaya (The University of Tokyo)

Program Committee Members:

Hiroko Bannai (Keio University/Waseda University)

Shigeyoshi Fujisawa (RIKEN Center for Brain Science)

Masaki Fukata (National Institutes of Natural Sciences)

Yukiori Goto (Kyoto University)

Masahiko Haruno (Osaka University)

Kouichi Hashimoto (Hiroshima University)

Yasunori Hayashi (Kyoto University)

Akiko Hayashi-Takagi (Gunma University)

Toshihide Hige (University of North Carolina at Chapel Hill)

Takatoshi Hikida (Osaka University)

Toshiyuki Hirabayashi (National Institutes for Quantum and Radiological Science and Technology)

Hiromi Hirata (Aoyama Gakuin University)

Shin Hisahara (Sapporo Medical University)

Takeshi Hiyama (Okayama University)

Sakiko Honjoh (University of Tsukuba)

Kei M Igarashi (University of California Irvine)

Takatoshi Iijima (Tokai University)

Kazutaka Ikeda (Tokyo Metropolitan Institute of Medical Science)

Itaru Imayoshi (Kyoto University)

Haruhisa Inoue (Kyoto University)

Masaki Isoda (National Institutes of Natural Sciences)

Yoshikazu Isomura (Tokyo Medical and Dental University)

Hiroshi Ito (Max Planck Institute for Brain Research)

Aya Ito-Ishida (Keio University)

Keise Izuma	(University of Southampton)
Shozo Jinno	(Kyushu University)
Wataru Kakegawa	(Keio University)
Tsukasa Kamigaki	(Nanyang Technological University)
Azusa Kamikouchi	(Nagoya University)
Kiyoto Kasai	(The University of Tokyo)
Hiroshi Kawasaki	(Kanazawa University)
Takashi Kawashima	(Weizmann Institute of Science)
Mineko Kengaku	(Kyoto University)
Takefumi Kikusui	(Azabu University)
Takashi Kitamura	(University of Texas)
Reiko Kobayakawa	(Kansai Medical University)
Ryuta Koyama	(The University of Tokyo)
Hiroshi Kuba	(Nagoya University)
Fumi Kubo	(National Institute of Genetics)
Hiroshi Makino	(Nanyang Technological University)
Shinji Matsuda	(The University of Electro-Communications)
Hideaki Matsui	(Niigata University)
Masayuki Matsumoto	(University of Tsukuba)
Masanori Matsuzaki	(The University of Tokyo)
Tatsuya Mima	(Ritsumeikan University)
Takafumi Minamimoto	(National Institutes for Quantum and Radiological Science and Technology)
Toshiya Murai	(Kyoto University)
Rieko Muramatsu	(National Center of Neurology and Psychiatry)
Masanori Murayama	(RIKEN Center for Brain Science)
Takeharu Nagai	(Osaka University)
Kazuhiro Nakamura	(Nagoya University)
Kinichi Nakashima	(Kyushu University)
Yuji Naya	(Pekin University)
Yukio Nishimura	(Tokyo Metropolitan Institute of Medical Science)
Jun Nishiyama	(Duke-NUS Medical School)
Kenichi Ohki	(The University of Tokyo)
Toshihisa Ohtsuka	(University of Yamanashi)
Hiroyuki Okuno	(Kagoshima University)
Teruhiro Okuyama	(The University of Tokyo)
Rieko Osu	(Waseda University)
Tetsushi Sadakata	(Gunma University)
Takeshi Sakaba	(Doshisha University)
Hirotaaka Sakamoto	(Okayama University)
Takuya Sasaki	(The University of Tokyo)
Kazunobu Sawamoto	(Nagoya City University)
Tomomi Shimogori	(RIKEN Center for Brain Science)
Hidehiko Takahashi	(Kyoto University)

Naoya Takahashi	(Humboldt University of Berlin)
Susumu Takahashi	(Doshisha University)
Takuya Takahashi	(Yokohama City University)
Shigeo Takamori	(Doshisha University)
Shuko Takeda	(Osaka University)
Kaori Takehara-Nishiuchi	(University of Toronto)
Haruki Takeuchi	(The University of Tokyo)
Seiji Tanabe	(University of Virginia)
Masaki Tanaka	(Hokkaido University)
Saori C. Tanaka	(ATR)
Junnosuke Teramae	(Kyoto University)
Takuro Tojima	(RIKEN Center for Advanced Photonics)
Taisuke Tomita	(The University of Tokyo)
Taro Toyozumi	(RIKEN Center for Brain Science)
Takashi Tsuboi	(The University of Tokyo)
Naotsugu Tsuchiya	(Monash University)
Ken-Ichiro Tsutsui	(Tohoku University)
Hiroki R. Ueda	(The University of Tokyo)
Naofumi Uesaka	(The University of Tokyo)
Takanori Uka	(University of Yamanashi )
Ayako M. Watabe	(The Jikei University School of Medicine)
Takeshi Yagi	(Osaka University)
Makiko Yamada	(National Institutes for Quantum and Radiological Science and Technology)
Yoshiaki Yamaguchi	(Kyoto University)
Koji Yamanaka	(Nagoya University)
Takayuki Yamashita	(Nagoya University)
Hidenori Yamasue	(Hamamatsu University School of Medicine)
Takufumi Yanagisawa	(Osaka University)
Keisuke Yonehara	(Aarhus University)
Motojiro Yoshihara	(NICT)
Yumiko Yoshimura	(National Institutes of Natural Sciences)

Advisor:

Wickliffe Abraham	(University of Otago, New Zealand/ President of Australasian Neuroscience Society)
Shigang He	(Shanghai Jiao Tong University, China)
Okihide Hikosaka	(National Eye Institute, USA)
Atsushi Iriki	(RIKEN Center for Biosystems Dynamics Research, Japan)
Tadashi Isa	(Kyoto University, Japan)
Bong-Kiun Kaang	(Seoul National University, Korea)
Carol Ann Mason	(Columbia University, USA)
Wolfram Schultz	(University of Cambridge, UK)



Organization Committee Chair:

Toshiki Yoshimine (Osaka University)

Organization Committee Members:

Nobutaka Hirokawa (The University of Tokyo)

Nobumasa Kato (Showa University)

Mitsuo Kawato (ATR)

Mineko Kengaku (Kyoto University)

Katsuhiko Mikoshiba (Toho University)

Hidehiro Mizusawa (National Center of Neurology and Psychiatry)

Fujio Murakami (Osaka University)

Shigeo Okabe (The University of Tokyo)

Noriko Osumi (Tohoku University)

Gen Sobue (Nagoya University/Aichi Medical University)

Ryosuke Takahashi (Kyoto University)

Keiji Tanaka (RIKEN Center for Brain Science)

Minoru Tsukada (Tamagawa University)

Tadaharu Tsumoto (Japan Society for the Promotion of Science)

Yoshihiro Yoneda (National Institutes of Biomedical Innovation, Health and Nutrition)

\*as of July, 2019 / alphabetical order

o Budget \*as of July, 2019

Income		
Item	Amount (JPY)	Remarks
1. Registration fees	39,300,000	2,860 participants, incl. reception
2. Seminar fees	8,830,000	6 seminars
3. Sponsorship package fees	11,570,000	5 packages
4. Exhibition fees	24,255,000	100 booths
5. Ad fees: Web banner	440,000	2 slots
Ad fees: Program booklet	1,595,000	11 pages
6. Subsidies and donations	19,500,000	Incl. grants from Kobe city and foundations, etc.
7. Loan from the society	500,000	
Total (JPY)	105,990,000	

Expenditure		
Item	Amount (JPY)	Remarks
1. Preparation expenses	<u>22,963,200</u>	
1) Personnel	9,348,200	
2) IT production	4,224,000	Incl. WEB and Abstract submission/Registration systems
3) Print/Production	8,279,500	Incl. Translation fees
4) Communication/Haulage	1,111,500	
2. Operational expenses	<u>72,814,455</u>	
1) Venue rental	20,708,000	
2) Equipments	21,473,500	
3) Personnel	9,681,075	
4) Invitation	8,373,380	
5) Meeting	9,905,500	
6) Sundry	2,673,000	
3. Post-meeting expenses	<u>7,546,577</u>	
4. Reserve fund	<u>2,665,768</u>	
Total (JPY)	105,990,000	

# **Sponsorship Package**

## Sponsorship Package

Platinum / Gold / Silver sponsorship packages are available.

**Application deadline for sponsorship package: March 13 (Fri), 2020**

### Platinum JPY2,700,000 (excl. tax)

●The package includes			Usual price (JPY, excl.tax)
1	Luncheon seminar	× 1 <b>Highest</b> priority of date & room	1,300,000 - 1,700,000
2	Exhibition booth (A)	× 5 <b>Highest</b> priority of booth allocation	1,250,000
3	Web banner	× 1	200,000
4	Meeting badge	× 5 (incl. admission to the reception)	130,000
5	Slide projection during intermissions at all lecture rooms and exhibition/posters site		100,000
Total usual price (JPY, excl.tax)			2,980,000 - 3,420,000

### Gold JPY2,100,000 (excl. tax)

●The package includes			Usual price (JPY, excl.tax)
1	Luncheon seminar	× 1 <b>Higher</b> priority of date & room	1,300,000 - 1,700,000
2	Exhibition booth (A)	× 2 <b>Higher</b> priority of booth allocation	500,000
3	Web banner	× 1	200,000
4	Meeting badge	× 3 (incl. admission to the reception)	78,000
5	Slide projection during intermissions at all lecture rooms and exhibition/posters site		100,000
Total usual price (JPY, excl.tax)			2,178,000 - 2,578,000

### Silver JPY1,500,000 (excl.tax)

●The package includes			Usual price (JPY, excl.tax)
1	Luncheon seminar	× 1 High priority of date & room	1,300,000
2	Exhibition booth (A)	× 1 High priority of booth allocation	250,000
3	Web banner	× 1	200,000
4	Meeting badge	× 2 (incl. admission to the reception)	52,000
5	Slide projection during intermissions at all lecture rooms and exhibition/posters site		100,000
Total usual price (JPY, excl.tax)			1,902,000

Application for sponsorship package: Please apply via online application system linked to the meeting website.

o Meeting website: <https://neuroscience2020.jnss.org/en/index.html>

o Contact: Neuroscience 2020 Exhibition Secretariat (c/o A & E Planning, Co., Ltd.)  
Hitotsubashi Bekkan 4F, 2-4-4, Hitotsubashi, Chiyoda-ku, Tokyo 101-0003 Japan  
E-mail: [e\\_jns2020@aeplan.co.jp](mailto:e_jns2020@aeplan.co.jp) TEL: +81-3-3230-2744

\* Priorities will be given on a first-come-first-served basis within each package.

\* Additional booths other than one(s) included in package are available at JPY250,000 (excl.tax) per booth.

\* Please refer to the following pages for the details of each benefit.

# **Luncheon Seminar**

## Luncheon Seminar

---

Luncheon seminars will be co-hosted with The 43rd Annual Meeting of Japan Neuroscience Society.

- Room                                      Lecture rooms for the meeting
  
- Language                                Japanese / English
  
- Date & Time                            July 29 (Wed) – 31 (Fri), 2020  
    Slot: 50 minutes (around lunchtime)  
    3 – 6 seminars per day will be held in parallel at the same time.  
    The number of seminars will vary depending on applications.  
    \*Slot may change due to the program.
  
- Application                             Please apply via online application system linked below;  
    <http://urx2.nu/T3i5>  
    Please note that no cancellations are accepted once you submit an application.  
    An invoice will be sent by e-mail after we confirm your application.  
    Please make a full payment by the due date written on the invoice.  
    \* Bank charges shall be borne by the applicant.  
    \* Check / Bill payments are not acceptable.
  
- Secretariat                               Neuroscience 2020 Exhibition Secretariat (c/o A&E Planning Co., Ltd.)  
    Hitotsubashi Bekkan 4F, 2-4-4, Hitotsubashi, Chiyoda-ku, Tokyo  
    101-0003 Japan  
    E-mail: [e\\_jns2020@aeplan.co.jp](mailto:e_jns2020@aeplan.co.jp)    TEL: +81-3-3230-2744
  
- Application deadline                March 13 (Fri), 2020
  
- Disclosure of information          We agree that sponsors disclose their contributions.
  
- Room & Fee

Date	Slot (tentative)	Capacity (tentative)	Fee (excl. tax)
July 29(Wed)	12 : 20 – 13 : 10	400	JPY1,700,000
	12 : 20 – 13 : 10	200	JPY1,500,000
	12 : 20 – 13 : 10	150	JPY1,300,000
July 30(Thu)	12 : 30 – 13 : 20	400	JPY1,700,000
	12 : 30 – 13 : 20	200	JPY1,500,000
	12 : 30 – 13 : 20	150	JPY1,300,000
July 31(Fri)	12 : 20 – 13 : 10	400	JPY1,700,000
	12 : 20 – 13 : 10	200	JPY1,500,000
	12 : 20 – 13 : 10	150	JPY1,300,000

\*Please note that the organization committee will arrange allocation of date and room based on each applicant preference.

- Notes
- Equipment
 

Seminar fee includes standard audio-visual equipment for seminar (projector, screen, microphone, etc.) and staff for video, audio, and lighting.

**Also, 2 meeting badges which allow you to participate in the meeting program are to be provided.**

If any other equipment, such as video recording or tape recording is required, charges will be incurred separately. Please contact the secretariat for the details.
- Program
 

Program will be organized by the executive committee and informed to the seminar co-hosts from the secretariat.
- Seminar fee does not include the following items and options. Actual cost will be charged by the secretariat after the meeting.
  - Box lunch for participants (with drink)
 

Please arrange lunch box as seminars will be held during lunchtime.

The quantity of box lunch is decided by co-hosts and collectively ordered by the secretariat after the application deadline.

Price of box lunch with drink (tentative): JPY1,300 / box.
  - Options
    1. Personnel expense: operational staff (announcement, timekeeping, distributing handouts and lunch, guide, etc.)
 

\*This will be arranged separately from staff assigned to the meeting.
    2. Honorarium and travel expenses for speakers and chairs
    3. Signage and display at the entrance of seminar room, etc.
    4. Additional equipment: video recording / tape recording / simultaneous interpretation / equipment for anteroom, etc.
    5. Anteroom: room charge, food and drink
    6. Agent service fee
 

\*If you order above options, 10% of agent service fee will be added to the total amount of option fees.
- **Advance reservation system** will be available online for the luncheon seminars at this meeting. The information of participants who made a reservation will be provided to each seminar co-host. The schedule and procedure will be notified from the secretariat after the application.

○ Attention on personal information acquisition and system usage

Please confirm the following and check on the application form.

1. We never sell the personal information.
2. We use the personal information only within the company unless the person agrees.
3. We stop using the personal information when the person denies providing the information or contacting.
4. We assign a supervisor and take precautions against loss and leak of the personal information.
5. We delete and never use the personal information that clearly seems to be an error.
6. We take appropriate measures based on the Act on the Protection of Personal Information.

# **Advertisement**

**Program Booklet**

**Web Banner**

**Web Banner Link to Webinar**

**Screen Ad**

**Symposium Sponsor Presentation**



## Advertisement in Program Booklet

- Book title                      The 43rd Annual Meeting of the Japan Neuroscience Society Program
- Book size, Printing method, etc.  
A4 (297 mm height × 210 mm width), approx. 400 pages  
Offset printing (Front cover: four colors / Body: black and white),  
Perfect binding
- Circulation                      3,700
- Distribution to                      Participants in the meeting
- Budget                              JPY 4,551,000
- Rate                                  Please note that organizers will decide allocation of ads in back matter.

Space	Size	Color	Rate (excl. tax)	Space available
Cover 4 (Back cover)	A4 : 1 page	Four colors	JPY 500,000	1
Cover 2 (Inside front)	A4 : 1 page	Black and White	JPY 250,000	1
Cover 3 (Inside back)	A4 : 1 page	Black and White	JPY 250,000	1
Back matter 1 page	A4 : 1 page	Black and White	JPY 150,000	up to 10
Back matter 1/2 page	A4 : 1/2 page	Black and White	JPY 80,000	up to 10

- Application                      Please fill out the application form and send it to the secretariat below by e-mail.
- Application deadline              March 27 (Fri), 2020
- Ad submission deadline            April 8 (Wed), 2020
- Ad size                              1 page:            255 mm height × 180 mm width  
1/2 page:        120 mm height × 180 mm width  
\*Bleed is not acceptable in either four colors or black and white.
- Ad requirements                    Print-ready data – four colors / black and white \*Please attach a print sample.
  - Format
    1. Adobe illustrator: All fonts should be outlined, and all images should be embedded. Also, please specify your OS and the version of Illustrator used for creating the ad. Proofreading will be performed by the printer. Please note that a proof sheet will not be sent to you.
    2. PDF: All fonts should be outlined, and all images should be embedded. If MS-Word or MS-PowerPoint is used for creating the ad, please make sure to specify the application used. Please note that submitted data may not be accepted.
- Ad submission                      Please send ad data to the secretariat by e-mail.
- Payment                              An invoice will be sent by e-mail after publishing.  
Please make a full payment by the due date written on the invoice.
- Disclosure of information        We agree that sponsors disclose their contributions.
- Secretariat                            Neuroscience 2020 Exhibition Secretariat (c/o A&E Planning Co., Ltd.)  
Hitotsubashi Bekkan 4F, 2-4-4, Hitotsubashi, Chiyoda-ku, Tokyo  
101-0003 Japan  
E-mail: e\_jns2020@aeplan.co.jp    TEL: +81-3-3230-2744

## Web Banner

- Name of advertisement media Website of The 43rd Annual Meeting of the Japan Neuroscience Society
- Type of advertisement media Web banner (Normal / Wide)
- Home page <https://neuroscience2020.jnss.org/en/index.html>  
\*Opened in July, 2019
- Number of spots Normal: approx. 10 / Wide: 2
- Placement method Normal banner: Placement on all pages  
Random display - banners appear at random when the website is visited.  
Wide banner: Placement on the top of program page which is visited most  
Fixed display - banners appear whenever the program page is visited.
- Advertisement rate Normal banner: JPY 200,000 (excl. tax) per spot  
Wide banner: JPY 300,000 (excl. tax) per spot
- Application Please fill out the application form and send it to the secretariat below by e-mail.
- Placement period Application is accepted any time after the website is launched in July, 2019.  
Placement is guaranteed until 1 month after the meeting.
- Banner size Normal banner: Height 80 pixels × Width 228 pixels  
Wide banner: Height 80 pixels × Width 720 pixels
- Format 1. File type: GIF (Animation GIF, Infinite loop are acceptable) / JPEG  
2. File size: within 50 KB  
3. Please note that no change in banner design will be accepted after placement.
- Banner submission Please send banner data meeting the above requirements, together with URL for affiliate link, to the secretariat by e-mail. Banner will be placed within 7 business days after receipt.
- Payment An invoice will be sent by e-mail after the banner placement. Please make a full payment by the due date indicated on the invoice.
- Disclosure of information We agree that sponsors disclose their contributions.

- Secretariat  
Neuroscience 2020 Exhibition Secretariat  
(c/o A&E Planning Co., Ltd.)  
Hitotsubashi Bekkan 4F, 2-4-4, Hitotsubashi,  
Chiyoda-ku, Tokyo 101-0003 Japan  
E-mail: [e\\_jns2020@aeplan.co.jp](mailto:e_jns2020@aeplan.co.jp)  
TEL: +81-3-3230-2744



## **Web Banner Link to Webinar**

---

- Name of advertisement media      Website of The 43rd Annual Meeting of the Japan Neuroscience Society
- Type of advertisement media      Web banner link to your Webinar page
- Home page                            <https://neuroscience2020.jnss.org/en/index.html>  
\*Opened in July, 2019
- Number of spots                    2
- Placement method                 Dedicated banner will be placed on the top page of the meeting website.
- Advertisement rate                JPY 400,000 (excl. tax) per spot
- Application                         Please fill out the application form and send it to the secretariat below by e-mail.
- Placement period                 Application is accepted any time after the website is launched in July, 2019.  
Placement is guaranteed until 1 month after the meeting.
- Banner size                         Height 80 pixels × Width 228 pixels
- Format                                 1. File type:    GIF (Animation GIF, Infinite loop are acceptable) / JPEG  
2. File size:    within 50 KB  
3. Please note that no change in banner design will be accepted after placement.
- Banner submission                Please send banner data meeting the above requirements, together with URL for affiliate link, to the secretariat by e-mail. Banner will be placed within 7 business days after receipt.
- Payment                             An invoice will be sent by e-mail after the banner placement. Please make a full payment by the due date indicated on the invoice.
- Disclosure of information        We agree that sponsors disclose their contributions.
- Secretariat                         Neuroscience 2020 Exhibition Secretariat  
(c/o A&E Planning Co., Ltd.)  
Hitotsubashi Bekkan 4F, 2-4-4, Hitotsubashi,  
Chiyoda-ku, Tokyo 101-0003 Japan  
E-mail: [e\\_jns2020@aeplan.co.jp](mailto:e_jns2020@aeplan.co.jp)  
TEL: +81-3-3230-2744

## Screen Ad

---

- Name of advertisement media      Screen of The 43rd Annual Meeting of the Japan Neuroscience Society
- Type of advertisement media      Ad projection on a screen
- Description                      Ad will be projected on the screen in the exhibition hall.  
**Broadcasting of the Tokyo 2020 Olympics will be projected on this screen.**
- Number of spots                  approx. 10 (60 seconds per 1 spot)
- Display method                  Loop
- Advertisement rate              JPY 100,000 (excl. tax) per spot  
JPY 200,000 (excl. tax) per spot (During the Tokyo 2020 Olympics is broadcasted.)
- Application deadline            May 15 (Fri), 2020
- Application                      Please fill out the application form and send it to the secretariat below by e-mail.
- Format                              Microsoft PowerPoint (Resolution: XGA / Aspect ratio: 4:3)
- Ad submission                  Please send an ad data to the secretariat by e-mail.
- Disclosure of information      We agree that sponsors disclose their contributions.

## Symposium Sponsor Presentation

---

The 43rd Annual Meeting of the Japan Neuroscience Society offers an opportunity to make a 3-minute presentation "Symposium Sponsor Presentation" at a lecture room before each symposium starts. It can be used for PR of your company, products, exhibition booth, etc. Symposium is selectable. Please take advantage of this opportunity.

- Qualification                      Exhibitors or Luncheon seminar co-hosts
- Presentation                      Only 1 presentation per symposium is acceptable.  
Presentation time is for 3 minutes.  
The symposium can be chosen on a first-come-first-served basis.  
Application for more than one symposium is available.
- Fee                                  JPY30,000 (excl. tax) / symposium
- Application deadline            May 15(Fri), 2020
- Application                      Please fill out the application form and send it to the secretariat below by e-mail.
- Disclosure of information      We agree that sponsors disclose their contributions.
- Secretariat                      Neuroscience 2020 Exhibition Secretariat  
(c/o A&E Planning Co., Ltd.)  
Hitotsubashi Bekkan 4F, 2-4-4, Hitotsubashi, Chiyoda-ku, Tokyo 101-0003 Japan  
E-mail: e\_jns2020@aeplan.co.jp    TEL: +81-3-3230-2744

\* Details of symposia will be released later.

\* Application for the symposium already sponsored by a company is not acceptable.

# **Exhibition**

## Exhibition

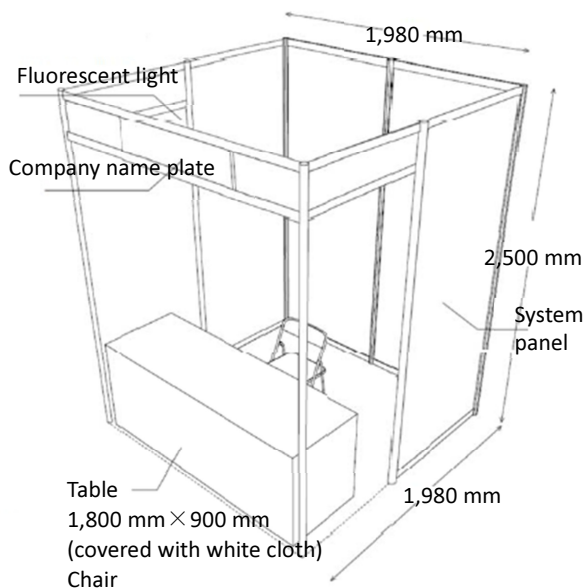
---

- Schedule
  - July 28 (Tue), 2020 2:00 pm – 5:00 pm (Set-up)
  - 29 (Wed), 2020 9:00 am – 5:00 pm
  - 30 (Thu), 2020 9:00 am – 5:00 pm
  - 31 (Fri), 2020 9:00 am – 5:00 pm (Dismantling 5:00 pm –)

\*Above schedule may be changed. Please confirm a “Confirmation notice” sent around 1 month before the meeting.
- Venue
  - Kobe International Exhibition Hall No.1 Building
- Acceptable exhibits
  - Devices, Reagents, Disposable products, Computer system including software or database, Technical service, PR activity of University or Research institution, Other services for research, Related books, Translation service, etc.
  - Exhibits not included in above are not acceptable.
- Number of booth
  - 100 booths offered
- Application
  - Please apply via online application system linked below;**  
<http://urx2.nu/T3i5>
  - 1) Please confirm an automatic reply sent from the system after submission.
  - 2) An acceptance notice will be sent from the secretariat by e-mail.
  - Your application is completed when both 1) and 2) are done.
  - Applications from unrelated companies or exhibits not listed above will be discussed first, and the secretariat will send the conclusion by e-mail.
  - If you cannot apply via the online application system, please contact the secretariat below by e-mail.
- Application deadline
  - April 17 (Fri), 2020
- Payment due
  - Please see the invoice issued after we accept your application.
  - \*In case that you cannot pay by the due date after receipt of an invoice, please make sure to inform us. Otherwise, your application will be cancelled and a cancellation charge will be incurred.
- Cancellation
  - Once your application is accepted, no cancellation will be accepted except in an inevitable accident recognized by the organization committee.
  - Even in case the cancellation is accepted, a notice in writing must be sent to the secretariat and a cancellation charge will be applied as below based on the receiving date of the notice.
  
  - Notice before April 17 (Fri), 2020 …
    - 50% of the total fee (Exhibition fee)
  - Notice on and after April 17 (Fri), 2020…
    - 100% of the total fee (Exhibition fee)
- Secretariat
  - Neuroscience 2020 Exhibition Secretariat  
(c/o A&E Planning Co., Ltd.)  
Hitotsubashi Bekkan 4F, 2-4-4, Hitotsubashi, Chiyoda-ku, Tokyo 101-0003 Japan  
E-mail: [e\\_jns2020@aeplan.co.jp](mailto:e_jns2020@aeplan.co.jp) TEL: +81-3-3230-2744

- Booth allocation                      Booths will be allocated upon due consideration of kinds of exhibits, shapes, weight, a number of booths, etc. after the application deadline and a layout will be sent with a confirmation notice. No booth allocation meeting will be held.  
\*Please let us know if you have any requests until the application deadline.  
(ex. To allocate booths side-by-side with group companies or business partners.)
  
- Display table                            1 display table per booth is provided. If you do not need it and place exhibits directly on the floor, please specify the number of booths that do not require display table on the application system.  
Also, please check the specified section if you are planning your own special decoration for your booth.
  
- Exhibits control                        Please be reminded that all exhibits are under exhibitors' control, and we are not responsible for any losses, thefts, fire or damages by an inevitable accident during the exhibition.
  
- Others                                     Distributing flyers, catalogues or samples apart from your booth during the exhibition is not permitted. Since many companies are expected to participate in the exhibition, your cooperation would be highly appreciated.  
However, there will be some exceptions of an extra fee option to distribute or with permission from the organization committee.
  
- Contributions                            A part of exhibition fee will be used for arranging "Stamp rally"(Prizes etc.) which is to be held at the exhibition hall. If you are interested in sponsoring prizes, please contact the secretariat.

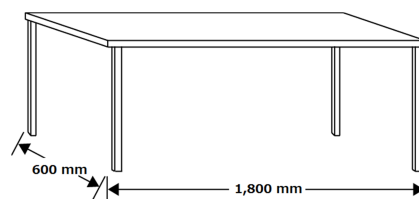
- Booth type & Fee
- ◆ Type A JPY250,000 (excl. tax) / booth



- Acceptable exhibitor  
Companies and organizations dealing in devices, reagents, disposable products, computer system including software/database, and technical service related to research in medical and life sciences.
- Booth size  
W1,980 mm × D1,980 mm × H2,500 mm
- Furniture  
Display table covered with a white cloth (W1,800 mm × D900 mm × H720 mm), Company name plate, Fluorescent light (40W), and 1 chair (It depends on the number of booth.).
- System panel booth. Pushpins and nails are not available on the panels to attach panel or poster.
- 4 exhibitor's name badges per booth will be provided.
- 1 name badge allows you to participate in the meeting program will be provided.**

- ◆ Type B1 JPY30,000 (excl. tax) / booth

- Acceptable exhibitor  
Publishers dealing in related books.  
Companies and organizations offering translation service.
- Booth size  
W1,800 mm × D600 mm with a white cloth
- Furniture  
Display table (W1,800 mm × D600 mm), 1 chair, and Company name plate
- 4 exhibitor's name badges per booth will be provided.



- ◆ Type B2 JPY10,000 (excl. tax) / booth

- Acceptable exhibitor  
Only book stores dealing in related books.  
\* Booth size and furniture are the same as type B1.

- ◆ Type C JPY100,000 (excl. tax) / booth

\* Booth spec is the same as Type A.

- Acceptable exhibitors  
Academic institutions, Universities, public institutions, etc.
- Booth size  
W1,980 mm × D1,980 mm × H2,500 mm
- Furniture  
Display table covered with a white cloth (W1,800 mm × D900 mm × H720 mm), Company name plate, Fluorescent light (40W), and 1 chair (It depends on the number of booth.).
- System panel booth. Pushpins and nails are not available on the panels to attach panel or poster.
- 4 exhibitor's name badges per booth will be provided.
- 1 name badge allows you to participate in the meeting program will be provided.**

- ◆ Electricity is optional, please order via the online application system if needed. Installation work charge for electric power supply equipment and electricity charge will be billed to each exhibitor.



# Neuroscience 2020

## Application form for Advertisement

Application Deadline for Program booklets ad : April 8, 2020

Date:

Company name		
Address	(Postal / ZIP code: _____ ) Address	
Person in charge	Name	TEL
	Division	FAX
	E-mail address * Please make sure to fill in a valid e-mail address.	

We hereby apply for:

- Advertisement in Program Booklets

Space: \_\_\_\_\_ Rate: JPY \_\_\_\_\_ (excl. tax)

- Web Banner (Normal)

\_\_\_\_\_ Spot(s) Rate: JPY \_\_\_\_\_ (excl. tax)

- Web Banner (Wide)

\_\_\_\_\_ Spot(s) Rate: JPY \_\_\_\_\_ (excl. tax)

- Web Banner (Webinar)

\_\_\_\_\_ Spot(s) Rate: JPY \_\_\_\_\_ (excl. tax)

- Screen Ad

\_\_\_\_\_ Spot(s) Rate: JPY \_\_\_\_\_ (excl. tax)

Message / Inquiries (if any)

---

• Send to: Neuroscience 2020 Exhibition Secretariat (c/o A&E Planning Co., Ltd.)  
E-mail. e\_jns2020@aeplan.co.jp / TEL. +81-3-3230-2744

# Neuroscience 2020

## Application form for Symposium Sponsor Presentation

Application Deadline: May 15, 2020

Date: \_\_\_\_\_

We hereby apply for Symposium Sponsor Presentation as follows;

Company name: \_\_\_\_\_

Person in charge:

Name \_\_\_\_\_

Tel \_\_\_\_\_ e-mail \_\_\_\_\_

Symposium

◆ 1<sup>st</sup> Choice

Session No. \_\_\_\_\_ Date \_\_\_\_\_ Time \_\_\_\_\_

Session Title \_\_\_\_\_

◆ 2<sup>nd</sup> Choice

Session No. \_\_\_\_\_ Date \_\_\_\_\_ Time \_\_\_\_\_

Session Title \_\_\_\_\_

Message / Inquiries (if any)

---

● Send to: Neuroscience 2020 Exhibition Secretariat (c/o A&E Planning Co., Ltd.)  
E-mail. e\_jns2020@aeplan.co.jp / TEL. +81-3-3230-2744